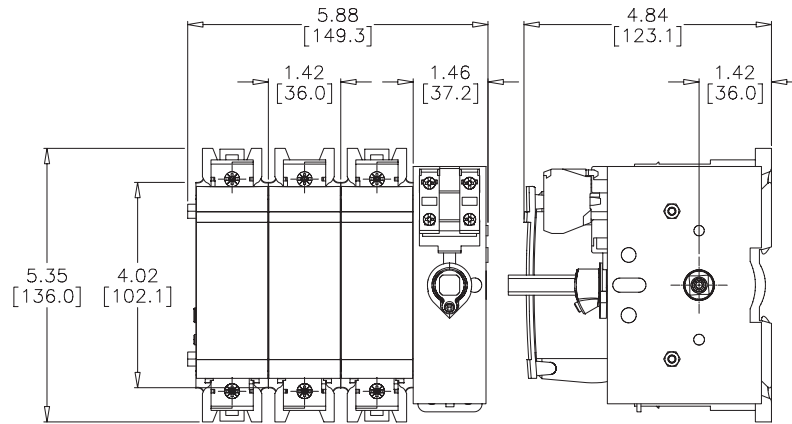


FUSERBLOC UL 98 Fusible Disconnect Switches



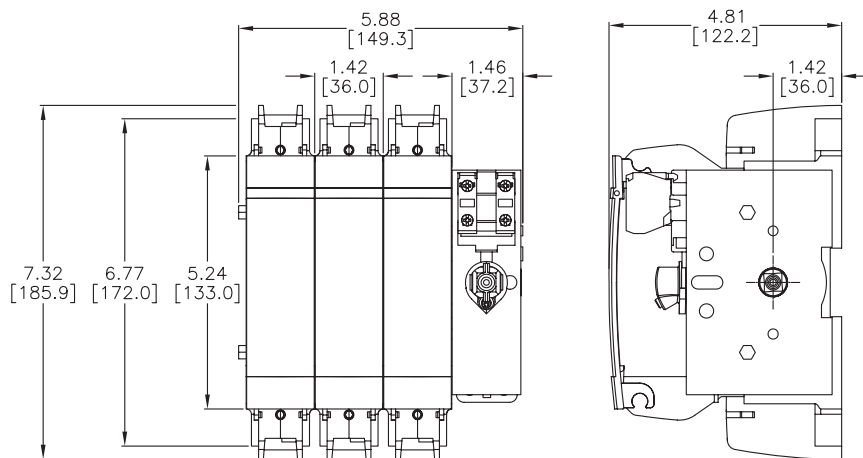
Dimensions [inches/mm]

30A to 60A - Frame Size 4



Note: For 2-pole and 4-pole devices decrease overall width by 1.41"/36mm

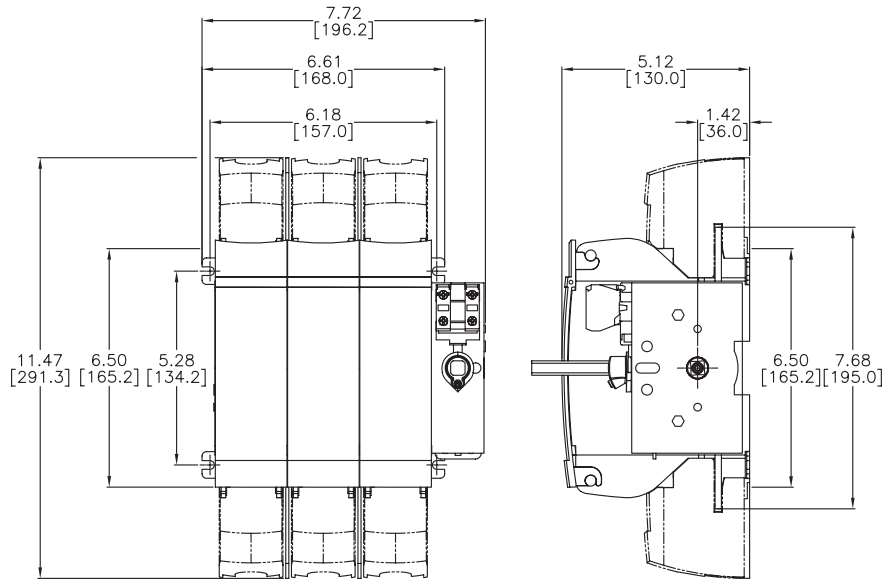
100A - Frame Size 5



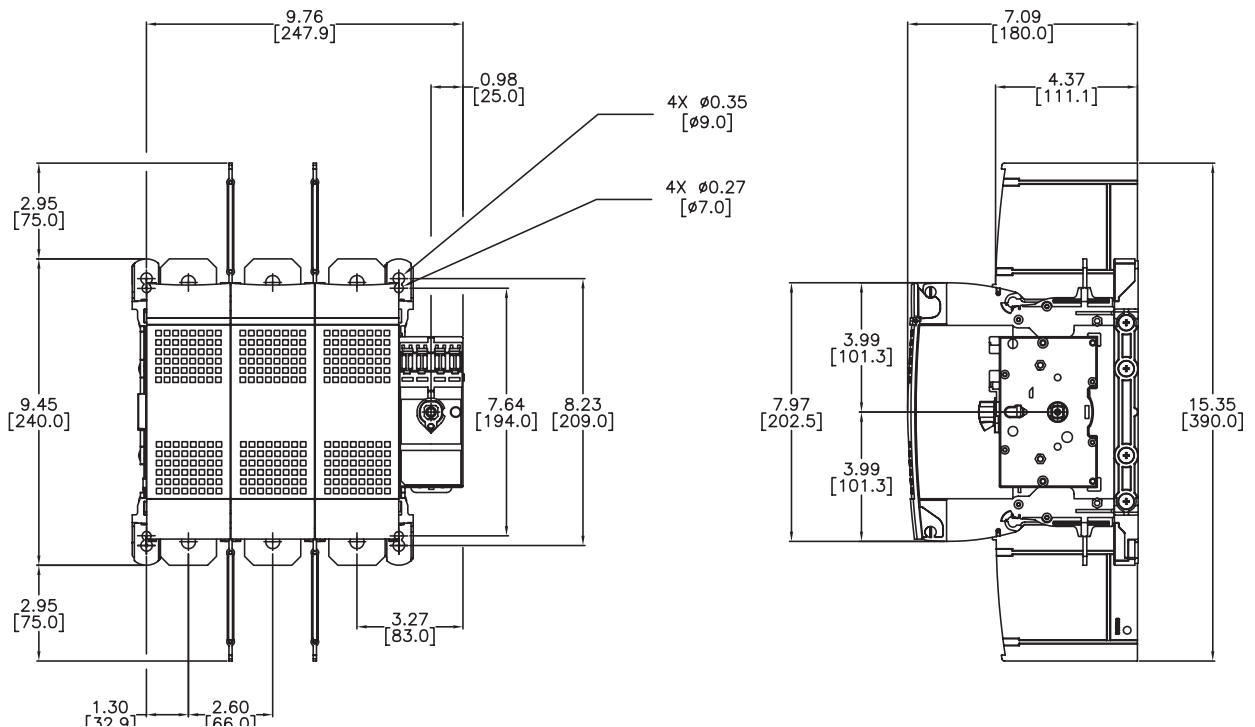
FUSERBLOC UL 98 Fusible Disconnect Switches

Dimensions [inches/mm]

200A - Frame Size 6



400A - Frame Size 7



FUSERBLOC UL 98 Fusible Disconnect Switches



Dimensions [inches/mm]

600A - Frame Size 8

